

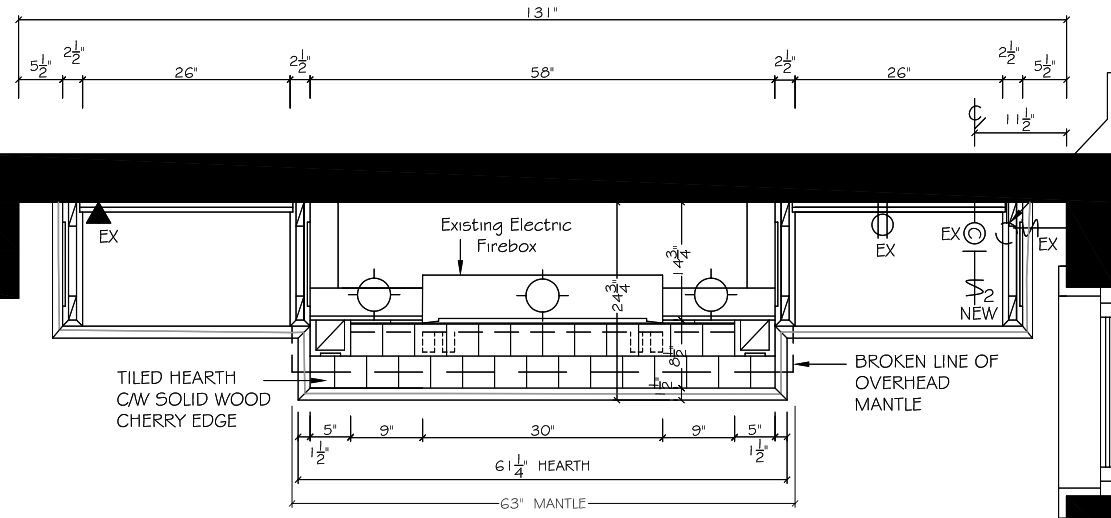
Revisions:

| Description | Date |
|-------------|------|
|             |      |
|             |      |
|             |      |
|             |      |
|             |      |
|             |      |
|             |      |
|             |      |
|             |      |
|             |      |

Project: PRIVATE RESIDENCE

Drawing Title: LIVING ROOM FIREPLACE & OPEN STORAGE CABINET

|                   |               |
|-------------------|---------------|
| Date: MAR 2009    | Drawn By: CMR |
| Scale: 1/2"=1'-0" | Approved By:  |
| Drawing No:       |               |



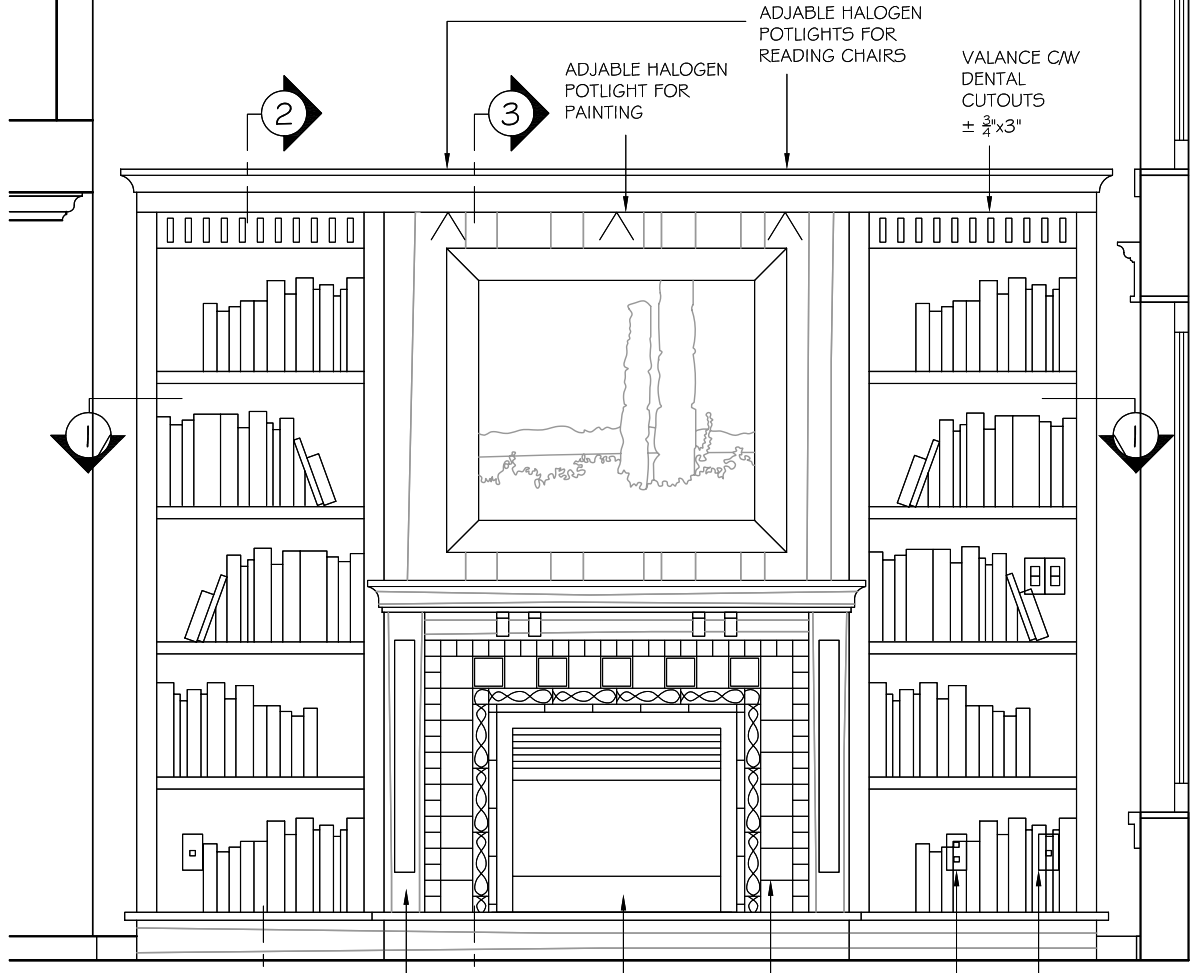
SECTION ELEVATION

MEZZANINE

**FINISHES**

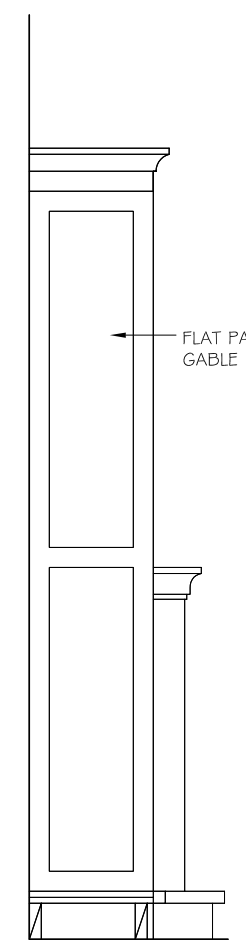
CHERRY SOLID WOOD & VENEER, STAIN TO MATCH SAMPLE FROM CLIENT; AREAS - HEARTH, FIREPLACE PILASTERS, MANTLE & BACK PANEL.

HDF SATIN LACQUER PAINT, COLOR WHITE SPECIFICATION TO MATCH SAMPLE FROM CLIENT; AREAS - BOOKCASES & VALANCE.

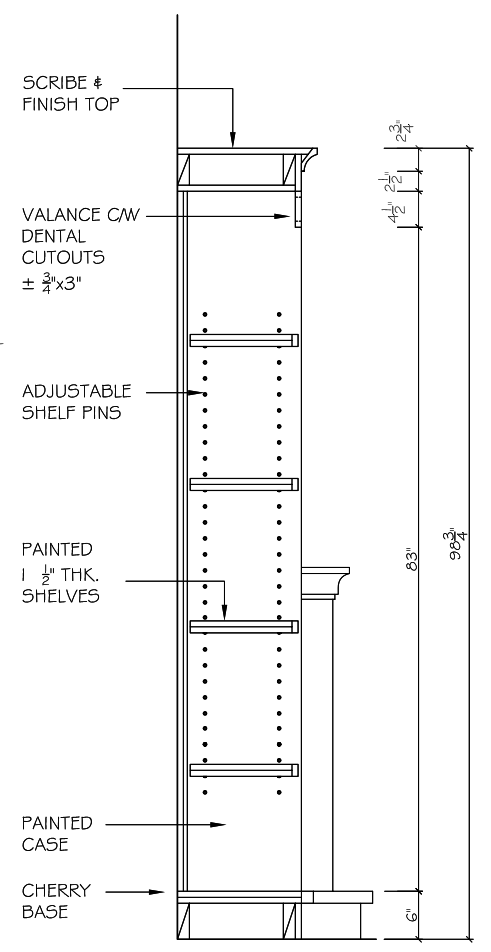


ELEVATION

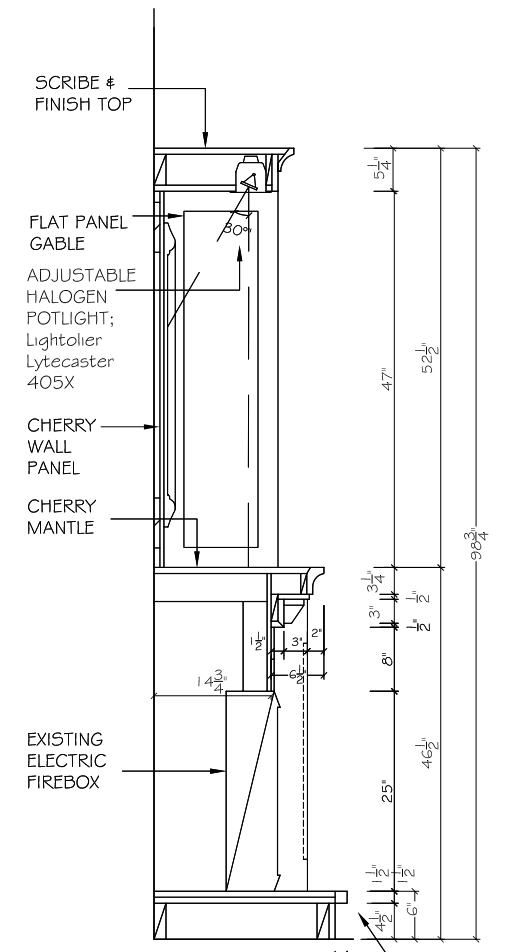
TOTAL OF 21.5 LIN FT OF BOOKSHELVES



ELEVATION



SECTION ELEVATION



SECTION ELEVATION